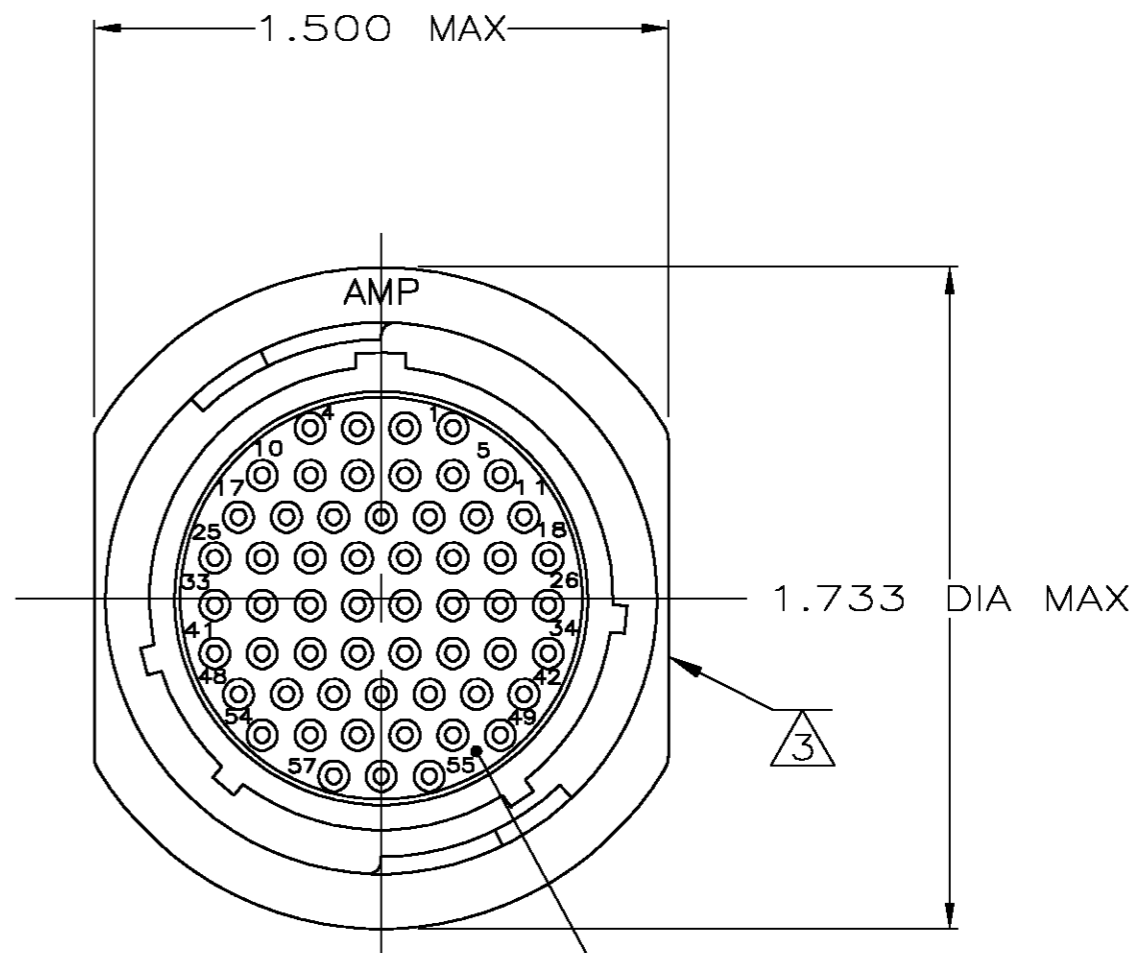
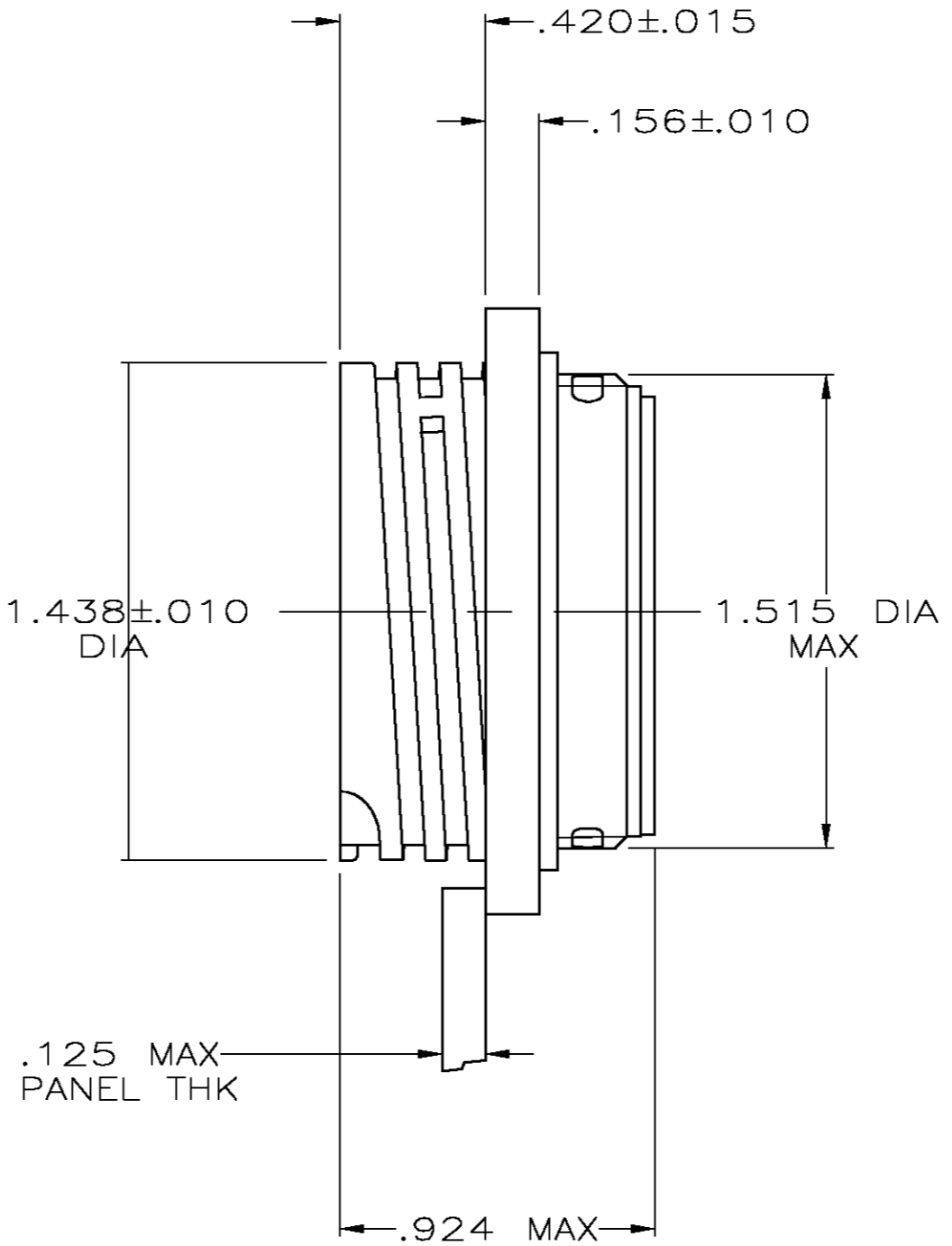
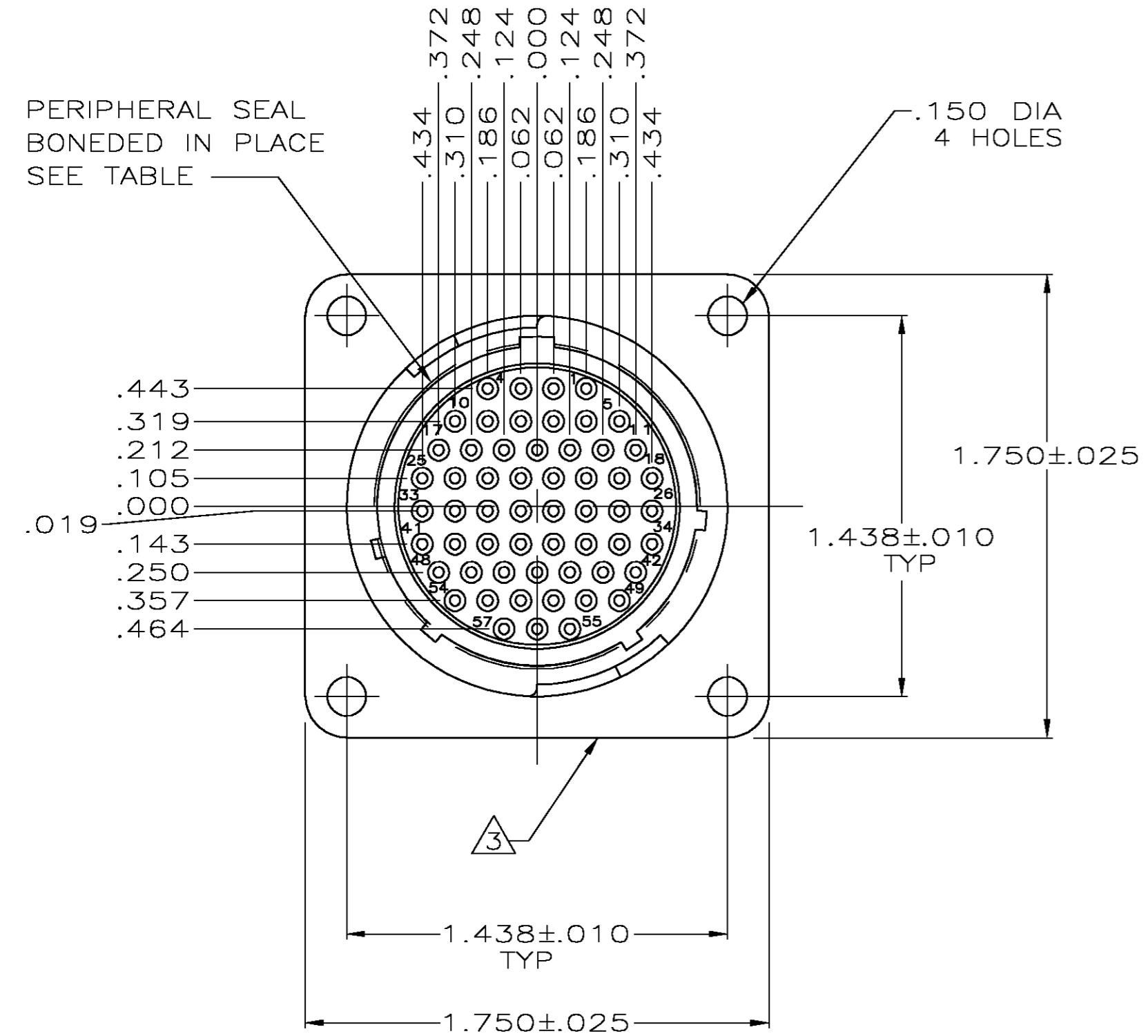
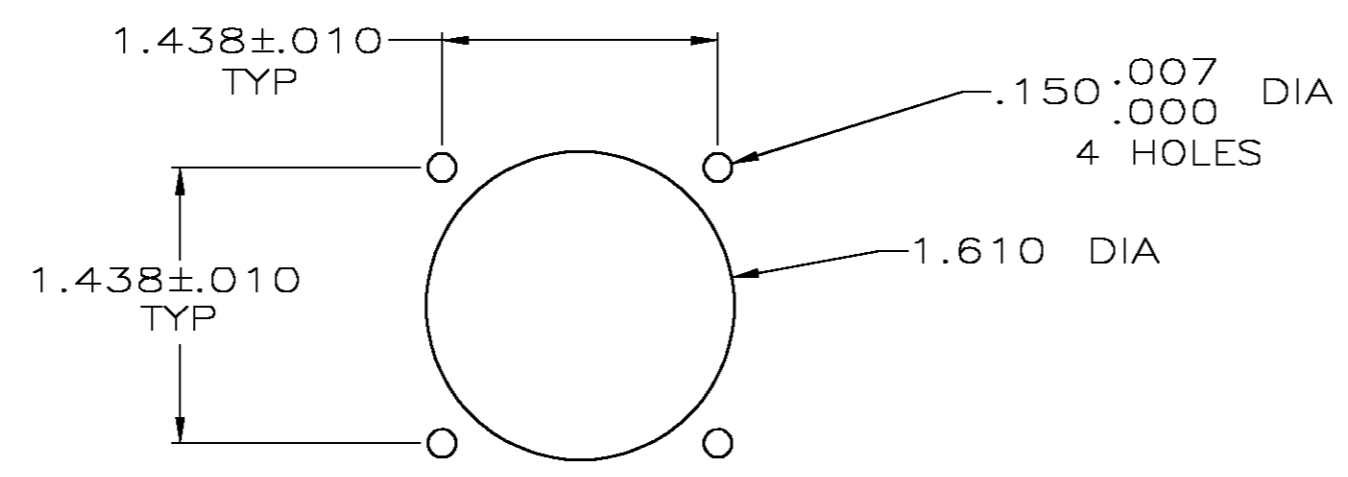


THIS DRAWING IS UNPUBLISHED. RELEASED FOR PUBLICATION  
 © COPYRIGHT BY TYCO ELECTRONICS CORPORATION. ALL RIGHTS RESERVED.

LOC	DIST	REVISIONS					
FT	0	P	LTR	DESCRIPTION	DATE	DWN	APVD
		K		REVISE PER OG3B-0582-03	7/29/03	SS	SH



FREE HANGING  
(-2 ONLY)



PANEL CUTOUT  
SCALE 1:1

- NOTES:
- CONTACT CAVITIES IDENTIFIED BY CHARACTERS ON FRONT AND REAR FACES OF CONNECTOR.
  - WILL ACCEPT (57) SIZE 20 SOCKET CONTACTS.
  - PART NUMBER THIS AREA.
  - #4 FASTENER RECOMMENDED FOR MOUNTING.

YES	206438-3
NO	206438-2
NO	206438-1
PERIPHERAL SEAL	PART NUMBER

THIS DRAWING IS A CONTROLLED DOCUMENT.		DWN	4/3/91	Tyco Electronics Corporation Harrisburg, PA 17105
		CHK	7-27-92	
DIMENSIONS: INCHES		TOLERANCES UNLESS OTHERWISE SPECIFIED:		NAME
		0 PLC	± -	PRODUCT SPEC
		1 PLC	± -	108-10024
		2 PLC	± -	APPLICATION SPEC
		3 PLC	± .005	
		4 PLC	± -	
		ANGLES	± -	
MATERIAL: THERMOPLASTIC,		FINISH	-	SIZE
				A2
				CAGE CODE
				00779
				DRAWING NO
				C=206438
				RESTRICTED TO
				-
CUSTOMER DRAWING		SCALE	2:1	SHEET
				1 OF 1
				REV
				K

206438